



Unika Color Products Ltd.  
Unika House  
New York Way  
New York Industrial Park  
Newcastle Upon Tyne  
NE27 0QF

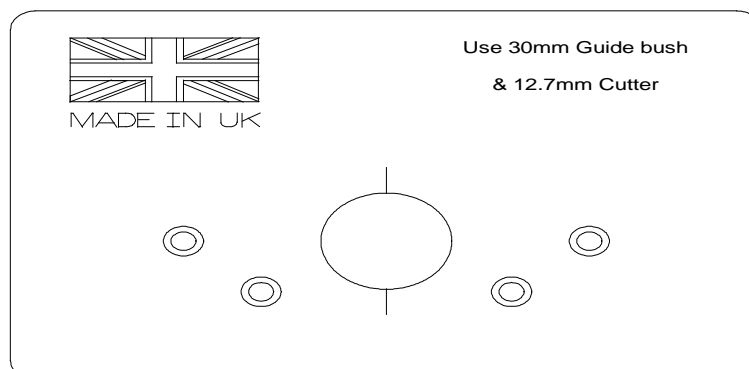
Helpline Tel: 0191 2597876



## CABINET HINGE JIG

The cabinet hinge jig can be used to recess the 35mm diameter hole, needed when fitting concealed hinges. Used correctly it will position the centre of the 35mm diameter hole 76mm (3") from the top and bottom edge of the door and have a centre of 22.5mm from the side of the door.

While the distance inset from the side of the door is always set, it is possible to change the hinge positions from the top and bottom faces using the engraved positioning lines and only two of the pegs provided as opposed to three.



In addition to the jig plate and pegs provided you will require:

- A plunge action router (at least 1500w)
- A 12.7mm (1/2") straight router cutter
- A 30mm guide bush
- Two padded "G" clamps

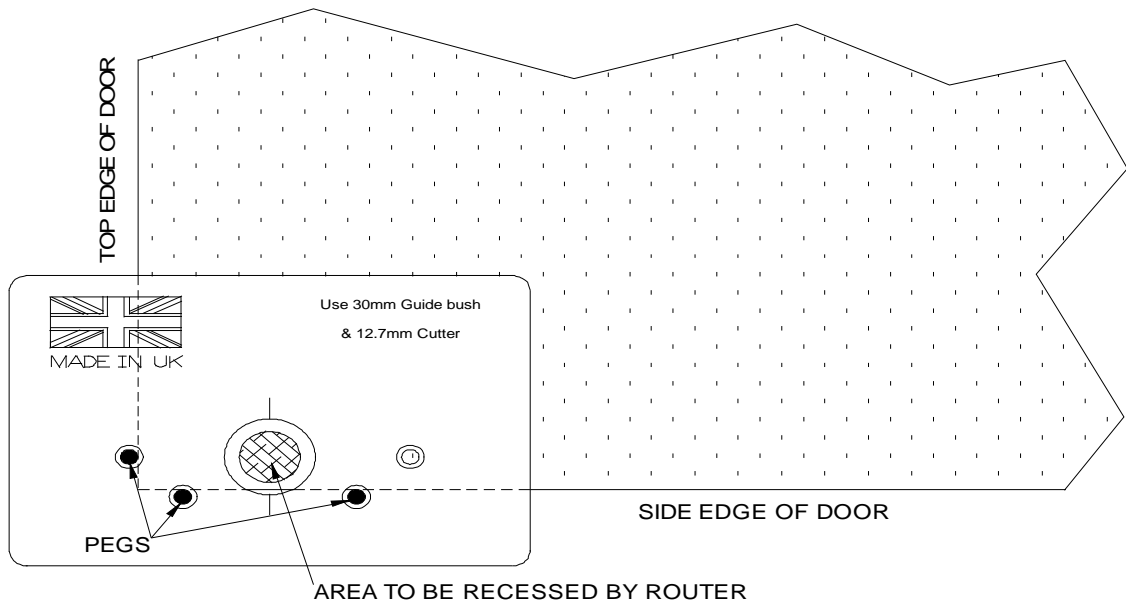
### **SAFETY FIRST**

- **Make sure all cables are clear of the router.**
- **Make sure the work piece is correctly supported.**
- **Always use protective goggles when using the router.**
- **Do not switch router on with blade touching the work.**
- **Never remove the router when it is switched on and moving.**
- **Make sure there are no obstructions to the path of the router.**

Place the door that is to be recessed face down on the work surface, taking care to ensure that the face is protected from the possibility of being scratched or marked. Push the pegs provided, through the holes in the jig face, depending on which hinge is being recessed (see Fig. 1).

Place the jig onto the work piece and ensure that the pegs are pushed tightly against the corresponding edges of the door (see Fig. 1)

**FIG. 1**



Once the jig is in position clamp in place and ensure that both jig and door are securely supported.

Prepare the router with the 12.7mm cutter and the 30mm guide bush.

Set the depth of the router so that it is deep enough to accept the hinge but cannot be plunged any further risking cutting through the door completely.

Place the router onto the jig, with the guide bush sitting inside the jig cut-out. Start the router and plunge to the depth required moving the router in a clockwise direction around the cut-out, until all the waste has been removed.

Once complete, remove the clamps and push out the peg fitted against the top edge of the door, leaving the other two pegs in place. Slide the jig down the edge of the door to the opposite side and place the peg you have just removed into the hole onto the other side of the jig (see Fig. 2).

Repeat the process described above.

**FIG. 2**

