

Instructions

Cabinet Hinge Jig

Technical Support Helpline - 0191 2597876

www.worktopjigs.com

UNIKA COLOR PRODUCTS LTD

Unika House, New York Way, New York Industrial Park,
Newcastle upon Tyne, U.K. NE27 0QF

Telephone: +44 (0) 191 259 0033

Fax: +44 (0) 191 257 4525

Email: sales@unika.co.uk www.unika.co.uk



The mark of
responsible forestry



PEFC 16-03-1108



001

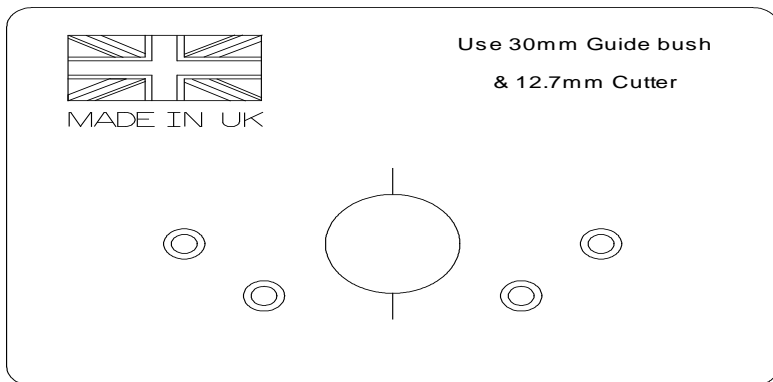


001



The cabinet hinge jig can be used to recess the 35mm diameter hole, needed when fitting concealed hinges. Used correctly it will position the centre of the 35mm diameter hole 76mm (3") from the top and bottom edge of the door and have a centre of 22.5mm from the side of the door.

While the distance inset from the side of the door is always set, it is possible to change the hinge positions from the top and bottom faces using the engraved positioning lines and only two of the pegs provided as opposed to three.



In addition to the jig plate and pegs provided you will require:

- A plunge action router (at least 1500w)
- A 12.7mm (1/2") straight router cutter
- A 30mm guide bush
- Two padded "G" clamps

SAFETY FIRST

- **Make sure all cables are clear of the router.**
- **Make sure the work piece is correctly supported.**
- **Always use protective goggles when using the router.**
- **Do not switch router on with blade touching the work.**

- **Never remove the router when it is switched on and moving.**
- **Make sure there are no obstructions to the path of the router.**

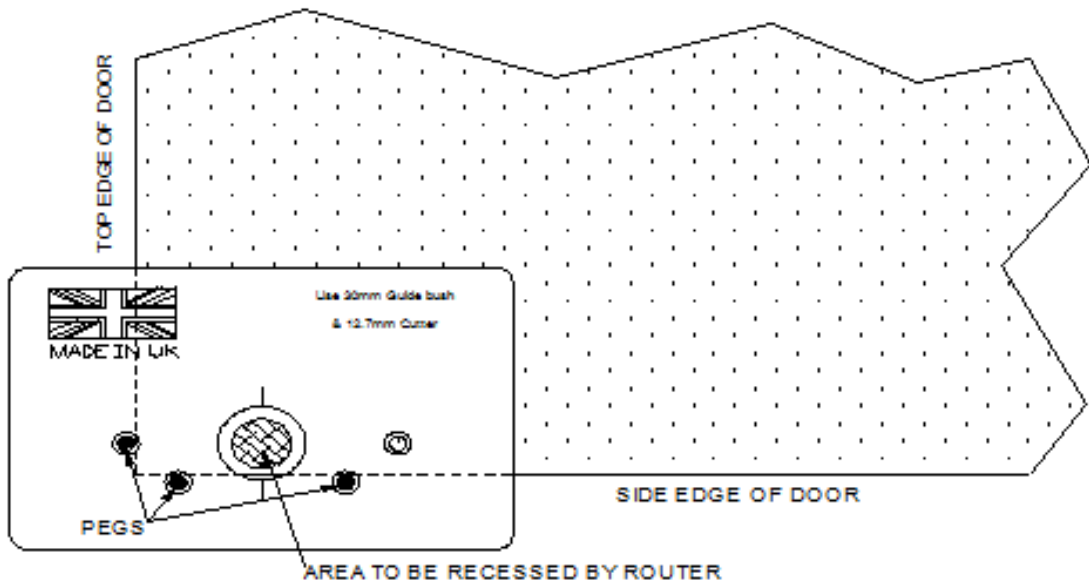
Place the door that is to be recessed face down on the work surface, taking care to ensure that the face is protected from the possibility of being scratched or marked.

Push the pegs provided, through the holes in the jig face, depending on which hinge is being recessed (see Fig. 1).

Place the jig onto the work piece and ensure that the pegs are pushed tightly against the corresponding edges of the door (see Fig. 1)

Once the jig is in position clamp in place and ensure that both jig and door are securely supported.

FIG. 1



Worktop Installation Essentials

Unika ColorFill is the first sealant to be designed specifically for the installation of mitred worktop joints.

ColorFill performs three tasks: It bonds the joint together, it seals the joint against water and domestic detergents and it is exactly colour matched to the worktop so making the finished joint almost invisible.

In addition to joints ColorFill will repair scratches and chips in laminate and melamine surfaces.

Find your ColorFill now at www.colorfill.co.uk



ColorFill Solid Surface Adhesive is a revolutionary two component Methyl Methacrylate which will provide a colour matched seamless look for Solid Surface Worktops.

It can be used on Solid Surface and Composite Worktops made from Acrylic and Acrylic and Polyester blends for example – Corian, HI-MAC'S, Slab Tech, Earthstone, Avonite

EasiBolt will join two mitred worktops together

The Easibolt holder will keep the bolt in place on the underside of the worktop and leave both hands free for tightening or levelling

EasiBolt is a patented product



TopSeal is a Colour matched Backsplash and Upstand Sealant. High Strength/Waterproof/Flexible It Bonds and Seals at the same time.

TopSeal adheres to all surfaces Granite, Quartz, Laminate, Stainless Steel, Glass and many others.

TopSeal is an excellent gap filler and has little shrinkage. Waterproof and flexible once cured.

10 – 15 minutes open time Excellent bond strength. Use to secure Upstands and Backsplashes in place.

MitrePen is a quick and strong system for joining cornice, pelmet and plinth.

MitrePen is an environmentally friendly, precision marker that prevents the staining caused by overspray.

MitrePen is quick and clean and sets in 10 seconds

Use on: Cornice & Profile Mitre Joints, Melamine end strips, door trims, picture frames, mdf, skirting joints etc.



Gloss Surface Cleaner is a ready to use foam cleaner produces a smear free finish on gloss cupboard doors specially designed to remove dust, light dirt and water marks.

Use on glass, mirrors and chrome surfaces. Cleans and polishes in one easy application.

Professional grade cleaner that will reduce the rate of static pick up on a surface and so reduce the dust build up.

UNIKA COLOR PRODUCTS LTD

Unika House, New York Way, New York Industrial Park, Newcastle upon Tyne, U.K. NE27 0QF

Telephone: +44 (0) 191 259 0033

Fax: +44 (0) 191 257 4525

Email: sales@unika.co.uk www.unika.co.uk

